



P/N: 20PT1024X LF DATA SHEET

Feature



- Compliant with IEEE 802.3u and ANSI X3.263 standards including 350uH OCL with 8mA Bias.
- Symmetrical TX and RX channels for Auto MDI/MDIX capability.
- Comply with RoHS requirements-whole part No Cd, No Hg, No Cr6+, No PBB and PBDE and No Pb on external pins.
- Operating temperature range : 0 to +70 .
- Storage temperature range: -25 to +105 .

Electrical Specifications @ 25°C

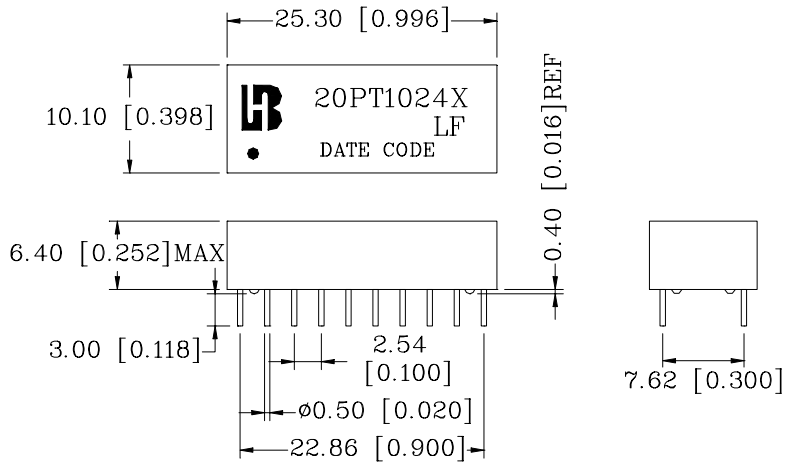
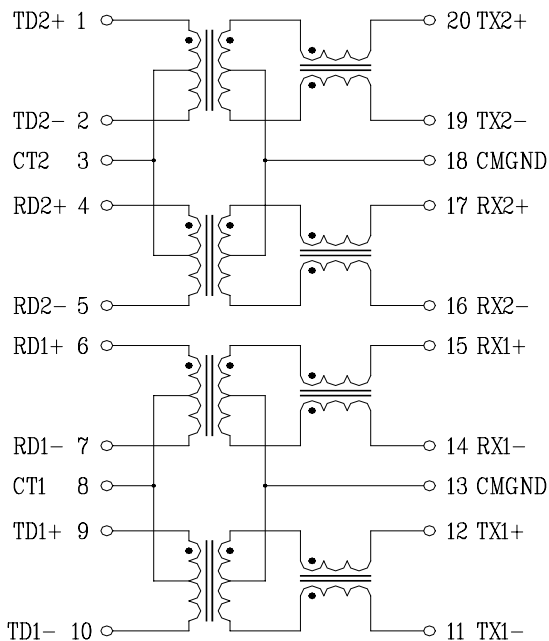
Part Number	Turns Ratio (±5%)		OCL(μH Min) @100KHz/0.1Vrms with 8mA DC/Bias	C _{www} (pF Max)	Insulation Resistance (M) @ 50V _{DC}	DCR (Max)	HI-POT (Vrms)
	TX	RX					
20PT1024X LF	1CT:1CT	1CT:1CT	350	56	10,000	0.9	1500

Continue

Part Number	Insertion Loss (dB Max)	Return Loss (dB Min)			Cross talk (dB Min)	DCMR (dB Min)
		0.3-100MHz	0.3-30MHz	30-60MHz		
20PT1024X LF	-1.1	-18	-14	-12	-35	-30

Schematic

Mechanical



Units: mm[Inches] Tolerances xx.x0±0.25[0.010]
0.xx±0.05[0.002]